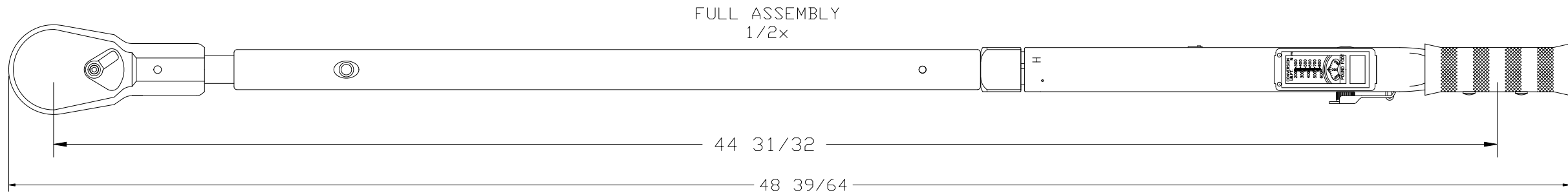
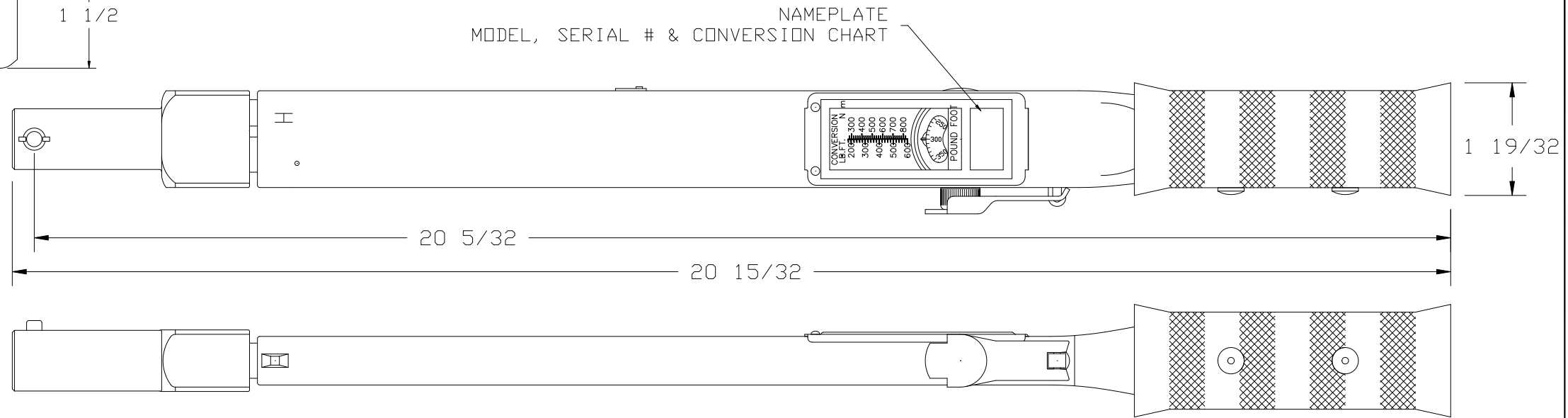
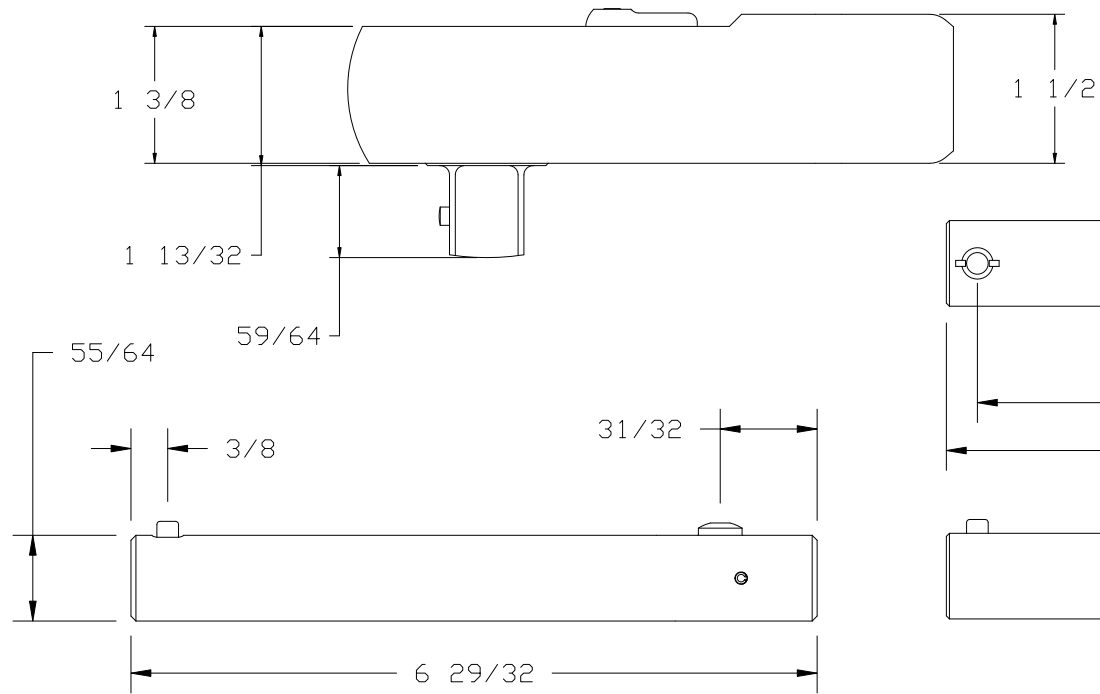


MODELS					
PART NUMBER	DRIVE SIZE	DRIVE TYPE	CAPACITY	GRADUATION STEPS	PATENTS
C4D600F	3/4 *	FIXED RATCHET	200-600 LB. FT.	10 LB. FT.	PATENTS PENDING
C4D80M	3/4 *	FIXED RATCHET	26-80 KG. M.	20 KG. M.	

NOTE: * Accuracy of all 3/4" sq. dr. "C" style wrenches is +/-4% from 20% of full scale to full scale, in vertical orientation. Any other orientation accuracy is +/-5% from 20% of full scale to full scale.

Meets or Exceeds the following Specifications: GGG-W-686C, ANSI B107.14M

Finish: Nickel/Chrome.



THE DATA, DRAWINGS, AND INFORMATION CONTAINED ON THIS DOCUMENT IS CONFIDENTIAL AND THE SOLE PROPERTY OF PRECISION INSTRUMENTS AND MAYNOT BE REPRODUCED, USED, OR DISCLOSED WITHOUT PRIOR WRITTEN PERMISSION OF AN OFFICER OF PRECISION INSTRUMENTS.

SCALE	DR	APP
CUSTOMER	L. COOK	
DATE	DATE	CADD#
1/6/04		

PRECISION INSTRUMENTS

P.O. Box 1306
Des Plaines, IL 60016
WEB: www.torqwrench.com
FAX: 847-824-7629
OFFICE: (847) 824-8456
(866) TWRENCH (897-3624)

CUSTOMER PRINT

DESCRIPTION	PART NUMBER
ADJUSTABLE CLICK TYPE TORQUE WRENCH	C4D600F SERIES

IMPORTANT NOTICE: ALL DIMENSIONS REFLECT ACTUAL GEOMETRY SIZE. DIMENSIONS MAY BE CARRIED OUT MORE DECIMAL PLACES THAN SHOWN PREVIOUSLY.