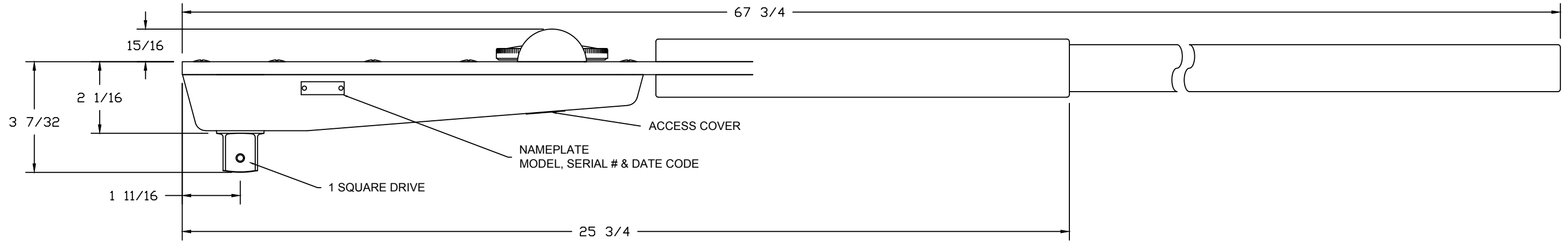
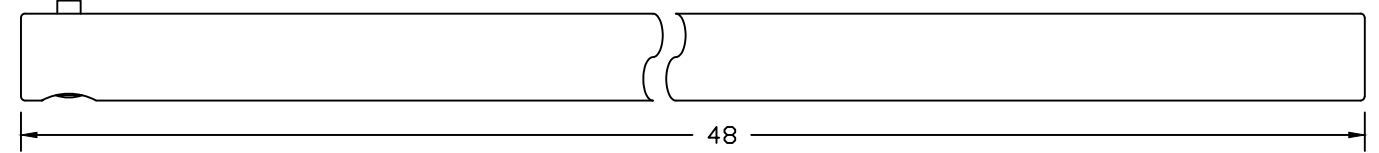
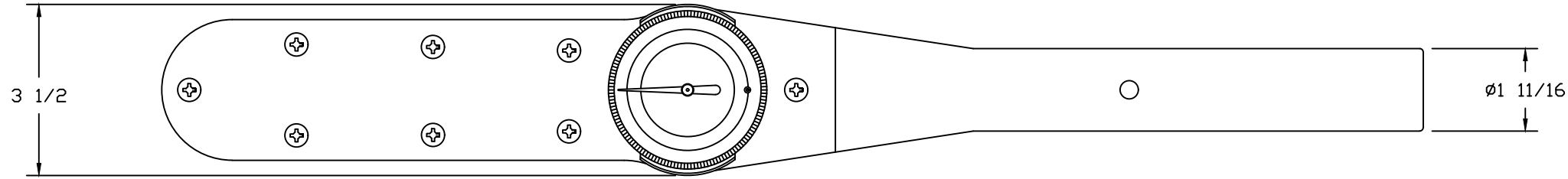
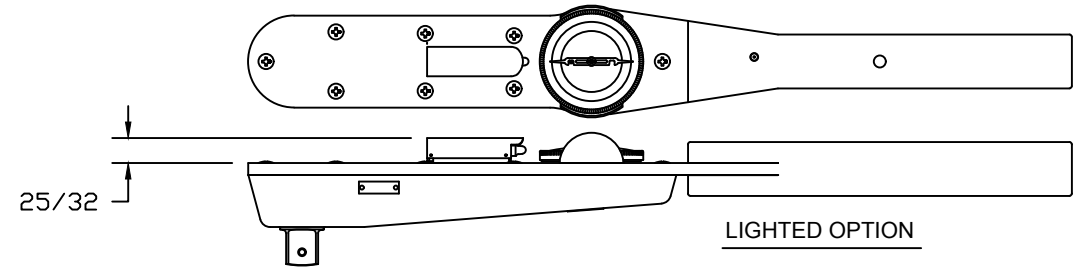
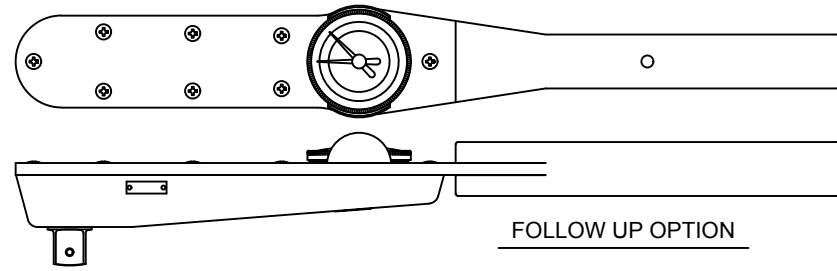


IMPORTANT NOTICE: ALL DIMENSIONS REFLECT ACTUAL GEOMETRY SIZE. DIMENSIONS MAY BE CARRIED OUT MORE DECIMAL PLACES THAN SHOWN PREVIOUSLY.



Single Scale									
Stock code 2%	Stock Code 2% Lighted	Stock Code 2% Memory Pointer	Stock Code 1%	Stock Code 1% Lighted	Stock Code 1% Memory Pointer	Minimum Calibrated Reading	Maximum Calibrated Reading	Units	Dial Increment
D5F800F	D5F800FL	D5F800M	D5F800FP	D5F800FLP	D5F800MP	160	800	lb.ft.	10 lb.ft.
D5F1000F	D5F1000FL	D5F1000FM	D5F1000FP	D5F1000FLP	D5F1000FMP	200	1000	lb.ft.	10 lb.ft.
D5F1360N	D5F1360NL	D5F1360NM	D5F1360NP	D5F1360NLP	D5F1360NMP	280	1360	N.m.	20 N.m.

Combo Dial										
Stock code 2%	Stock Code 2% Lighted	Stock Code 2% Memory Pointer	Stock Code 1%	Stock Code 1% Lighted	Stock Code 1% Memory Pointer	Minimum Calibrated Reading	Maximum Calibrated Reading	Units	Dial Increment	Scale Used For Calibration
D5F800CFM	D5F800CFML	D5F800CFMM	D5F800CFMP	D5F800CFMLP	D5F800CFMMP	175	800	lb.ft.	25 lb.ft.	
						22	110	kg.m.	2 kg.m.	X
D5F800CFN	D5F800CFNL	D5F800CFNM	D5F800CFNP	D5F800CFNLP	D5F800CFNMP	175	800	lb.ft.	25 lb.ft.	
						220	1080	N.m.	20 kg.m.	X
D5F1000CFM	D5F1000CFML	D5F1000CFMM	D5F1000CFMP	D5F1000CFMLP	D5F1000CFMMP	200	1000	lb.ft.	20 lb.ft.	
						28	136	kg.m.	2 kg.m.	X
D5F1000CFN	D5F1000CFNL	D5F1000CFNM	D5F1000CFNP	D5F1000CFNLP	D5F1000CFNMP	200	1000	lb.ft.	20 lb.ft.	
						280	1360	N.m.	20 kg.m.	X

ALL 2% AND 1% MODELS MEET STATED ACCURACY OF READING FROM 20% OF FULL SCALE TO FULL SCALE.

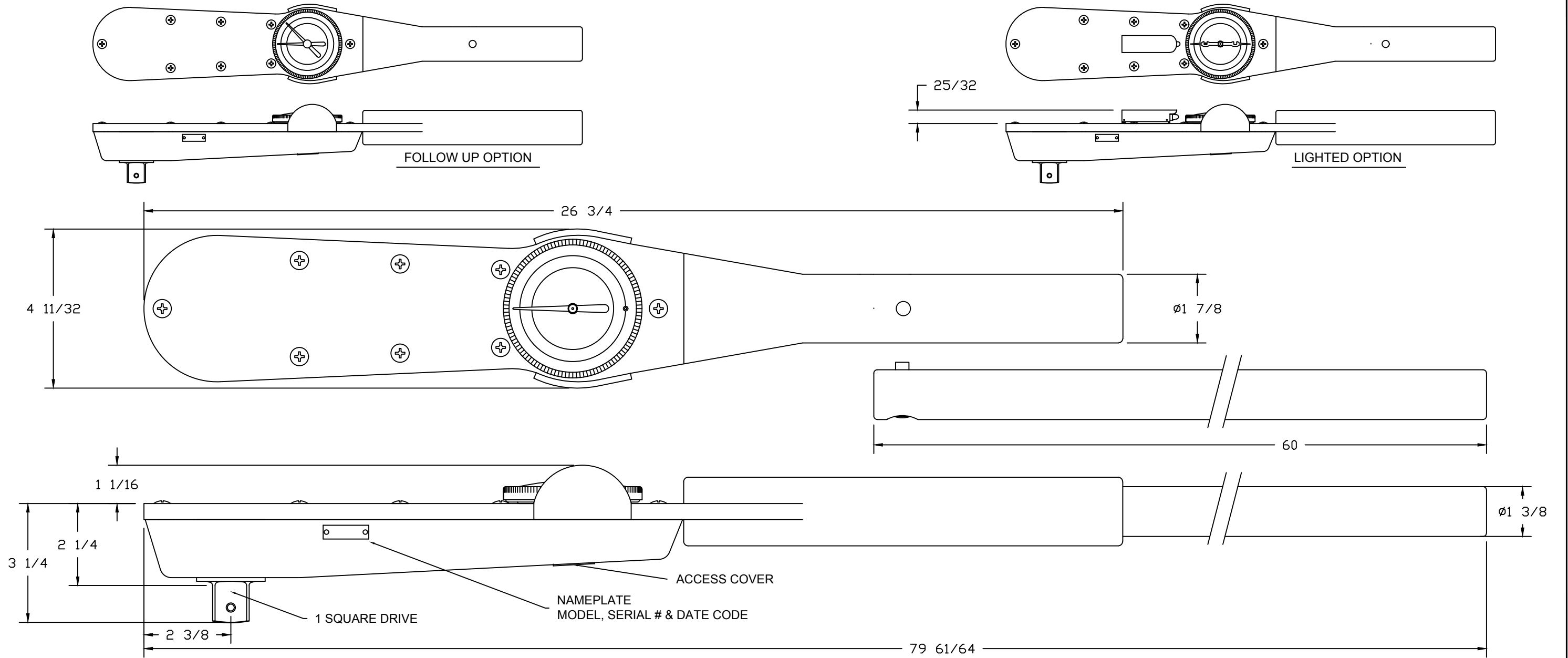
SPECIFICATIONS
 Weight: 41 LBS.
 (W/WOOD CASE): LBS.
 (W/LIGHT SIGNAL OPTION): ADD .17 LBS.
 FINISH: NICKEL CHROME

LIGHT SIGNAL OPTION ONLY
 REPLACEMENT BULB: 37TQP
 REPLACEMENT BATTERY: 36TQP (AA)

MEETS OR EXCEEDS THE FOLLOWING SPECIFICATIONS:GGG-W-686C, ANSI B107.14M

	1846 Miner Street P.O.Box 1306 Des Plaines, IL 60017 Phone: 847-824-4194 Fax: 847-824-7629 www.torqwrench.com	THE DATA, DRAWINGS, AND INFORMATION CONTAINED ON THIS DOCUMENT IS CONFIDENTIAL AND THE SOLE PROPERTY OF PRECISION INSTRUMENTS AND MAY NOT BE REPRODUCED, USED, OR DISCLOSED WITHOUT PRIOR WRITTEN PERMISSION OF AN OFFICER OF PRECISION INSTRUMENTS.	Scale -	Customer Print DESCRIPTION D5 (1"SQ.DR.) DIAL TYPE TORQUE WRENCH		PART NUMBER D5F SERIES (1 OF 2)
		By L. Cook Date 6/11/20				

IMPORTANT NOTICE: ALL DIMENSIONS REFLECT ACTUAL GEOMETRY SIZE. DIMENSIONS MAY BE CARRIED OUT MORE DECIMAL PLACES THAN SHOWN PREVIOUSLY.



Single Scale									
Stock code 2%	Stock Code 2% Lighted	Stock Code 2% Memory Pointer	Stock Code 1%	Stock Code 1% Lighted	Stock Code 1% Memory Pointer	Minimum Calibrated Reading	Maximum Calibrated Reading	Units	Dial Increment
D5F1500F	D5F1500FL	D5F1500FM	D5F1500FP	D5F1500FLP	D5F1500FMP	300	1500	lb.ft.	20 lb.ft.
D5F2000F	D5F2000FL	D5F2000FM	D5F2000FP	D5F2000FLP	D5F2000FMP	400	2000	lb.ft.	25 lb.ft.
D5F2800N	D5F2800NL	D5F2800NM	D5F2800NP	D5F2800NLP	D5F2800NMP	550	2800	N.m.	50 N.m.

Combo Dial										
Stock code 2%	Stock Code 2% Lighted	Stock Code 2% Memory Pointer	Stock Code 1%	Stock Code 1% Lighted	Stock Code 1% Memory Pointer	Minimum Calibrated Reading	Maximum Calibrated Reading	Units	Dial Increment	Scale Used For Calibration
D5F1500CFM	D5F1500CFML	D5F1500CFMM	D5F1500CFMP	D5F1500CFMLP	D5F1500CFMMP	300	1500	lb.ft.	25 lb.ft.	
						40	200	kg.m.	5 kg.m.	X
D5F1500CFN	D5F1500CFNL	D5F1500CFNM	D5F1500CFNP	D5F1500CFNLP	D5F1500CFNMP	300	1500	lb.ft.	25 lb.ft.	
						400	2000	N.m.	25 N.m.	X
D5F2000CFM	D5F2000CFML	D5F2000CFMM	D5F2000CFMP	D5F2000CFMLP	D5F2000CFMMP	400	2000	lb.ft.	50 lb.ft.	
						55	280	kg.m.	5 kg.m.	X
D5F2000CFN	D5F2000CFNL	D5F2000CFNM	D5F2000CFNP	D5F2000CFNLP	D5F2000CFNMP	400	2000	lb.ft.	50 lb.ft.	
						550	2700	N.m.	50 N.m.	X

ALL 2% AND 1% MODELS MEET STATED ACCURACY OF READING FROM 20% OF FULL SCALE TO FULL SCALE.

SPECIFICATIONS
 Weight: 60 LBS.
 (W/WOOD CASE): LBS.
 (W/LIGHT SIGNAL OPTION): ADD .17 LBS.
 FINISH: NICKEL CHROME

LIGHT SIGNAL OPTION ONLY
 REPLACEMENT BULB: 37TQP
 REPLACEMENT BATTERY: 36TQP (AA)

MEETS OR EXCEEDS THE FOLLOWING SPECIFICATIONS:GGG-W-686C, ANSI B107.14M

	1846 Miner Street P.O.Box 1306 Des Plaines, IL 60017 Phone: 847-824-4194 Fax: 847-824-7629 www.torqwrench.com	THE DATA, DRAWINGS, AND INFORMATION CONTAINED ON THIS DOCUMENT IS CONFIDENTIAL AND THE SOLE PROPERTY OF PRECISION INSTRUMENTS AND MAY NOT BE REPRODUCED, USED, OR DISCLOSED WITHOUT PRIOR WRITTEN PERMISSION OF AN OFFICER OF PRECISION INSTRUMENTS.	Scale -	Customer Print DESCRIPTION D5 (1"SQ.DR.) DIAL TYPE TORQUE WRENCH PART NUMBER D5F SERIES (2 OF 2)
	By L. Cook Date 6/11/20			